

Montag Windows & Doors
 215 Hembree Park Drive,
 Suite 100
 Roswell, GA 30076
 (866) 562-1728
 info@montagwindows.com
 www.montagwindows.com

Product: Lift & Slide Impact Option

Drawing: Modern XO Style
 Elevation

© Montag Windows & Doors. Drawings shall not be used or reproduced without prior written consent of Montag Windows & Doors. Do not scale off drawings. Use given dimensions only. All drawings for schematic purposes only.

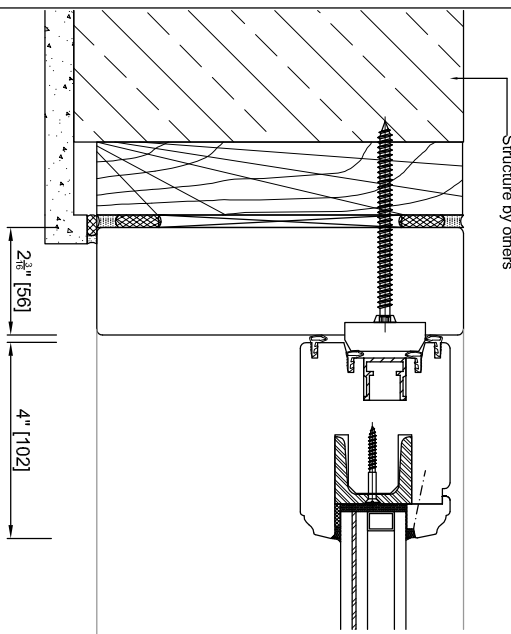
Scale: 1/2"=1'-0"

Updated: Nov '10

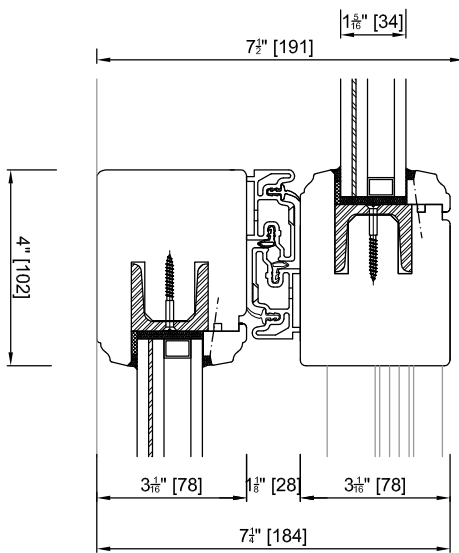
Drawing:

LS 100E

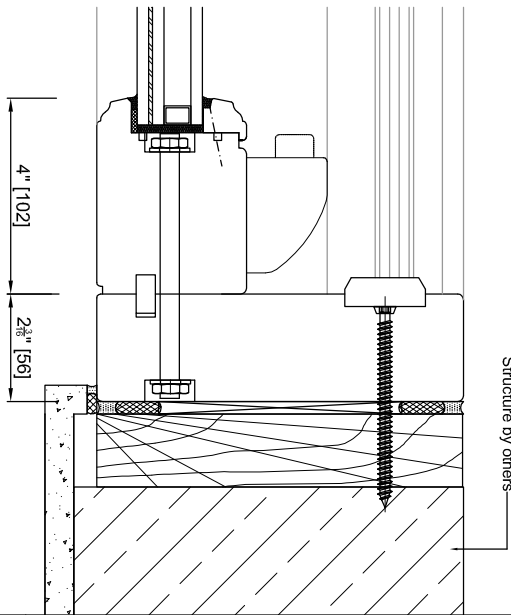
Operable Side Jamb



Interlock



Fixed Side Jamb



Product: Lift & Slide - Impact Option

Drawing: Classic XO Style
Plan

Scale: 3"=1'-0"

Updated: Nov '10

Drawing:

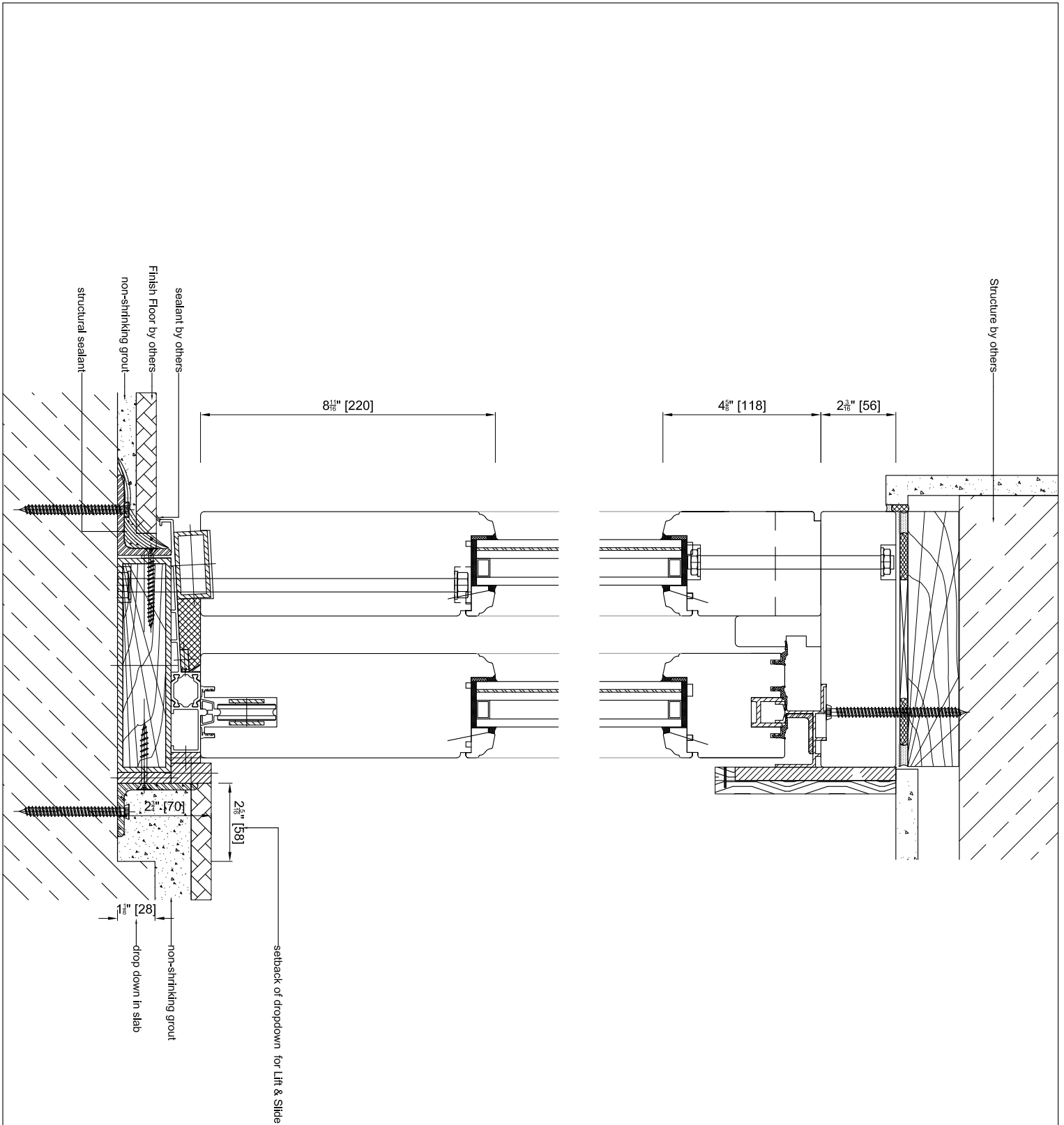
LS 100P

© Montag Windows & Doors. Drawings shall not be used or reproduced without prior written consent of Montag Windows & Doors. Do not scale off drawings. Use given dimensions only. All drawings for schematic purposes only.



Montag Windows & Doors

215 Hembree Park Drive,
Suite 100
Roswell, GA 30076
(866) 562-1728
info@montagwindows.com
www.montagwindows.com



Montag Windows & Doors
 215 Hembree Park Drive,
 Suite 100
 Roswell, GA 30076
 (866) 562-1728
 info@montagwindows.com
 www.montagwindows.com

Product: Lift & Slide - Impact Option

**Drawing: Classic XO Style
 Section**

© Montag Windows & Doors. Drawings shall not be used or reproduced without prior written consent of Montag Windows & Doors. Do not scale off drawings. Use given dimensions only. All drawings for schematic purposes only.

Scale: 3"=1'-0"

Updated: Feb '11

Drawing:

LS 100S