



**MIAMI-DADE COUNTY**  
**BUILDING CODE COMPLIANCE OFFICE (BCCO)**  
**PRODUCT CONTROL DIVISION**

MIAMI-DADE COUNTY, FLORIDA  
 METRO-DADE FLAGLER BUILDING  
 140 WEST FLAGLER STREET, SUITE 1603  
 MIAMI, FLORIDA 33130-1563  
 (305) 375-2901 FAX (305) 372-6339

**NOTICE OF ACCEPTANCE (NOA)**

[www.miamidade.gov/buildingcode](http://www.miamidade.gov/buildingcode)

**Montag Windows & Doors, LLC**  
**215 Hembree Park Drive, Suite 100**  
**Roswell, GA 30076**

**SCOPE:**

This NOA is being issued under the applicable rules and regulations governing the use of construction materials. The documentation submitted has been reviewed by Miami-Dade County Product Control Division and accepted by the Board of Rules and Appeals (BORA) to be used in Miami Dade County and other areas where allowed by the Authority Having Jurisdiction (AHJ).

This NOA shall not be valid after the expiration date stated below. The Miami-Dade County Product Control Division (In Miami Dade County) and/or the AHJ (in areas other than Miami Dade County) reserve the right to have this product or material tested for quality assurance purposes. If this product or material fails to perform in the accepted manner, the manufacturer will incur the expense of such testing and the AHJ may immediately revoke, modify, or suspend the use of such product or material within their jurisdiction. BORA reserves the right to revoke this acceptance, if it is determined by Miami-Dade County Product Control Division that this product or material fails to meet the requirements of the applicable building code. This product is approved as described herein, and has been designed to comply with the Florida Building Code, including the High Velocity Hurricane Zone.

**DESCRIPTION: Series "Tilt & Turn" Inswing Wood Casement Window – L.M.I.**

**APPROVAL DOCUMENT:** Drawing No. **W08-70**, titled "Wood Frame Tilt & Turn Window (LMI)", sheets 1 through 10 of 10, dated 07/28/08 prepared by Al-Farooq Corporation, signed and sealed by Humayoun Farooq, P.E., bearing the Miami-Dade County Product Control Approval stamp with the Notice of Acceptance number and approval date by the Miami-Dade County Product Control Division.

**MISSILE IMPACT RATING: Large and Small Missile Impact Resistant**

**LABELING:** Each unit shall bear a permanent label with the manufacturer's name:

**Fensterfabrik Montag, GmbH - Biberach-Mettenburg, Germany**

and the following statement: "**Miami-Dade County Product Control Approved**".

**RENEWAL** of this NOA shall be considered after a renewal application has been filed and there has been no change in the applicable building code negatively affecting the performance of this product.

**TERMINATION** of this NOA will occur after the expiration date or if there has been a revision or change in the materials, use, and/or manufacture of the product or process. Misuse of this NOA as an endorsement of any product, for sales, advertising or any other purposes shall automatically terminate this NOA. Failure to comply with any section of this NOA shall be cause for termination and removal of NOA.

**ADVERTISEMENT:** The NOA number preceded by the words Miami-Dade County, Florida, and followed by the expiration date may be displayed in advertising literature. If any portion of the NOA is displayed, then it shall be done in its entirety.

**INSPECTION:** A copy of this entire NOA shall be provided to the user by the manufacturer or its distributors and shall be available for inspection at the job site at the request of the Building Official.

This NOA consists of this page 1 and evidence page E-1, as well as approval document mentioned above. The submitted documentation was reviewed by **Manuel Perez, P.E.**



NOA No. 08-1224.17  
 Expiration Date: May 20, 2014  
 Approval Date: May 20, 2009

**Montag Windows & Doors, LLC**

**NOTICE OF ACCEPTANCE: EVIDENCE SUBMITTED**

**A. DRAWINGS**

1. Manufacturer's die drawings and sections.
2. Drawing No **W08-70**, Sheets 1 through 10 of 10, titled "Wood Frame Tilt & Turn Window (LMI)", dated 07/28/08 prepared by Al-Farooq Corporation, signed and sealed by Humayoun Farooq, P.E.

**B. TESTS**

1. Test reports on:
  - 1) Air Infiltration Test, per FBC, TAS 202-94
  - 2) Uniform Static Air Pressure Test, Loading per FBC TAS 202-94
  - 3) Water Resistance Test, per FBC, TAS 202-94
  - 4) Large Missile Impact Test per FBC, TAS 201-94
  - 5) Cyclic Wind Pressure Loading per FBC, TAS 203-94
  - 6) Forced Entry Test, per FBC 2411 3.2.1, TAS 202-94along with marked-up drawings and installation diagram of wood tilt & turn, casement windows, prepared by American Test Lab of South Florida, Test Report No. **ATLSF-1004.01-07**, dated 09/06/08, signed and sealed by William R. Mehner, P.E.

**C. CALCULATIONS**

1. Anchor verification calculations and structural analysis, complying with FBC-2004 and 2007, prepared by Al-Farooq Corporation, dated 11/20/08, signed and sealed by Humayoun Farooq, P.E. **Complies with ASTM E1300-02/04**

**D. QUALITY ASSURANCE**

1. Miami Dade Building Code Compliance Office (BCCO).

**E. MATERIAL CERTIFICATIONS**

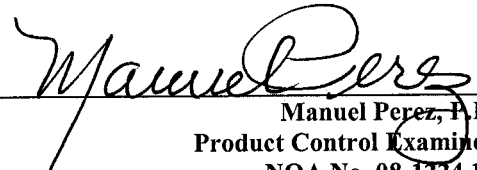
1. Notice of Acceptance No. **09-0312.03** issued to E.I. DuPont DeNemours & Co., Inc. for their "**DuPont Sentry Glass® Interlayer**" dated 05/13/09, expiring on 01/14/12.

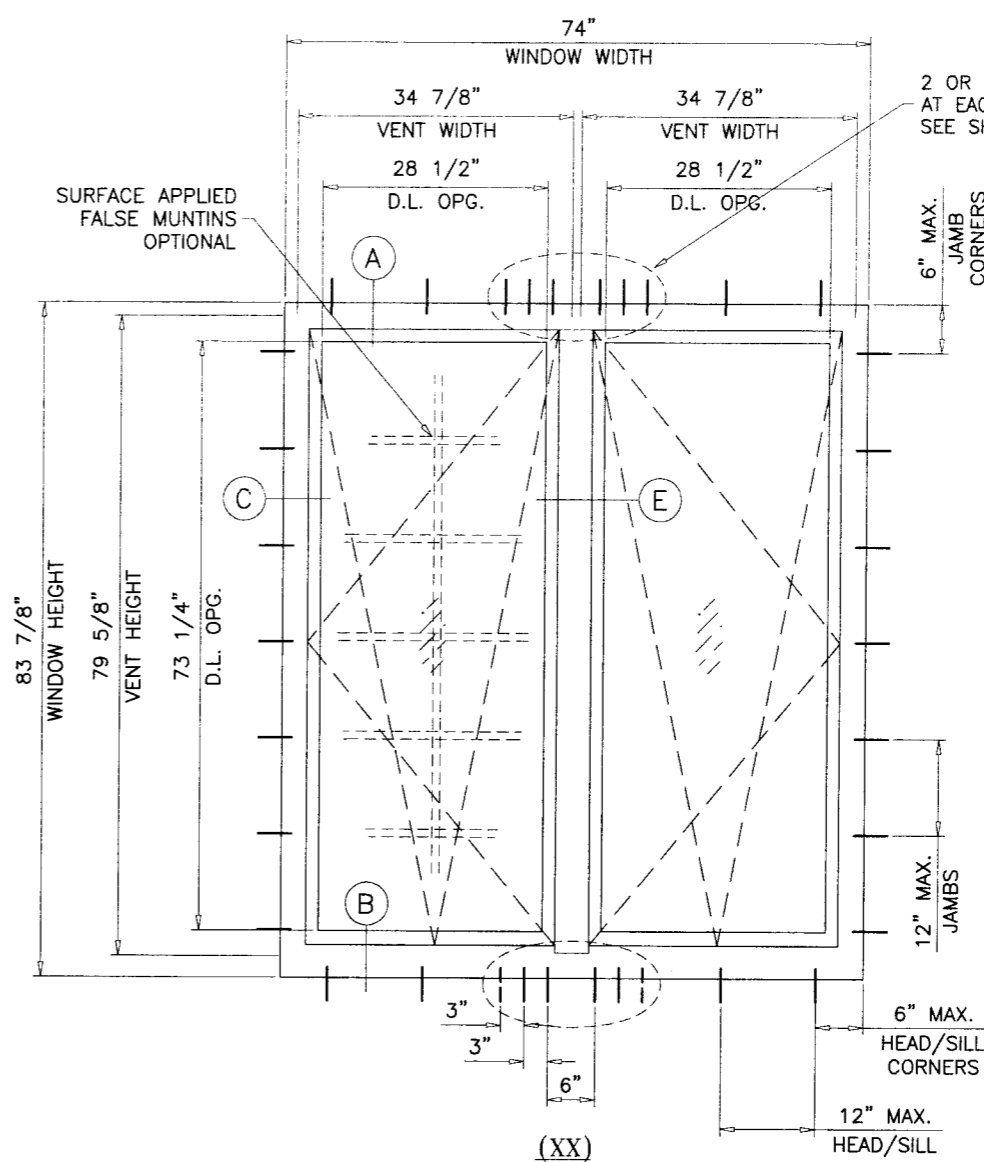
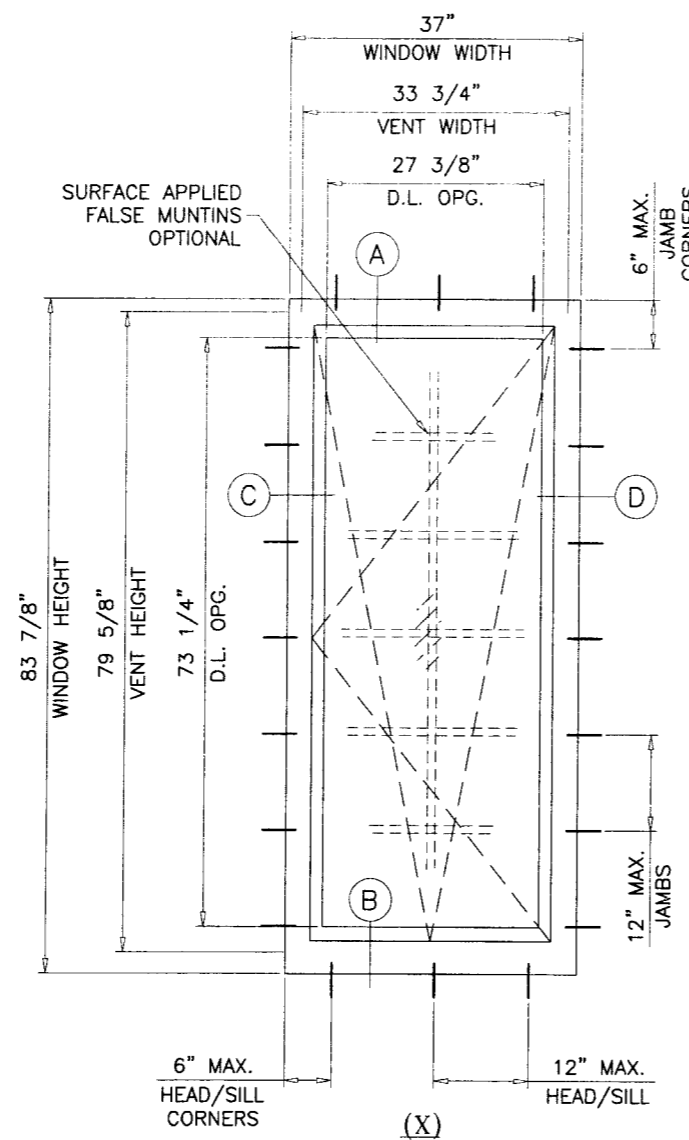
**F. STATEMENTS**

1. Statement letter of conformance, dated October 6<sup>th</sup>, 2008, signed and sealed by Humayoun Farooq, P.E.
2. Statement letter of no financial interest, dated October 6<sup>th</sup>, 2008, signed and sealed by Humayoun Farooq, P.E.
3. Distributor Agreement document in conformance to BCCO guidelines signed by Gerhard Lang (Manufacturer) and Mitch Lewandowski (Distributor).

**G. OTHERS**

1. None.

  
Manuel Perez, P.E.  
Product Control Examiner  
NOA No. 08-1224.17  
Expiration Date: May 20, 2014  
Approval Date: May 20, 2009



TYPICAL ELEVATIONS

**WOOD FRAME TILT & TURN WINDOW**

APPROVAL APPLIES TO SINGLE UNITS OR SIDE BY SIDE COMBINATIONS OF TWO OR MORE UNITS. LOWER DESIGN PRESSURE FROM WINDOWS OR SIDE BY SIDE MULLION CHART WILL APPLY TO ENTIRE SYSTEM. CODE REQUIREMENTS FOR SAFEGUARDS MUST BE OBSERVED.

DESIGN LOAD RATING FOR THESE WINDOWS TO BE AS PER CHARTS SHOWN ON SHEET 2.

THIS PRODUCT HAS BEEN DESIGNED AND TESTED TO COMPLY WITH THE REQUIREMENTS OF THE FLORIDA BUILDING CODE 2004/2007 EDITION INCLUDING HIGH VELOCITY HURRICANE ZONE (HVHZ).

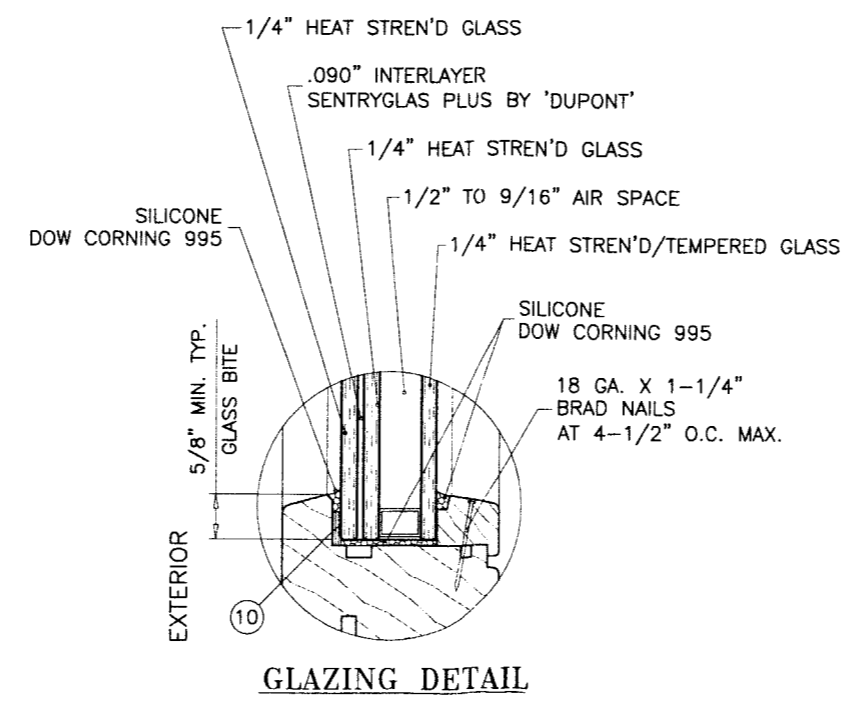
WOOD BUCKS BY OTHERS, MUST BE ANCHORED PROPERLY TO TRANSFER LOADS TO THE STRUCTURE.

ANCHORS SHALL BE AS LISTED, SPACED AS SHOWN ON DETAILS, ANCHORS EMBEDMENT TO BASE MATERIAL SHALL BE BEYOND WALL DRESSING OR STUCCO.

ANCHORING OR LOADING CONDITIONS NOT SHOWN IN THESE DETAILS ARE NOT PART OF THIS APPROVAL.

A LOAD DURATION INCREASE IS USED IN DESIGN OF ANCHORS INTO WOOD ONLY.

MATERIALS INCLUDING BUT NOT LIMITED TO STEEL/METAL SCREWS, THAT COME INTO CONTACT WITH OTHER DISSIMILAR MATERIALS SHALL MEET THE REQUIREMENTS OF 2004/2007 FLORIDA BLDG. CODE SECTION 2003.8.4.



GLAZING DETAIL

THESE WINDOWS ARE RATED FOR LARGE MISSILE IMPACT. SHUTTERS ARE NOT REQUIRED.

Engr: DR. HUMAYDUN FAROOQ  
STRUCTURES  
FLA. PE # 16557  
C.A.N. 3538  
DEC 22 2008

Approved as complying with the  
Florida Building Code  
Date MAY 20, 2009  
NOA# 08-1224-17  
Miami Dade Product Control  
Division  
By *[Signature]*

**af c**  
**AL-FAROOQ CORPORATION**  
ENGINEERS & PRODUCT DEVELOPMENT  
1235 S.W. 87 AVE  
MIAMI, FLORIDA 33174  
TEL. (305) 264-8100 FAX. (305) 262-6978  
COMP -ANL\W08-70MNA

WOOD FRAME TILT & TURN WINDOW (L.M.I.)  
**MONTAG WINDOWS & DOORS**  
215 HEMBREE PARK DRIVE, SUITE 100  
ROSWELL, GA 30076  
TEL. (866) 562-1728 FAX. (866) 563-1728

no	date	description

revisions:

date: 07-28-08  
scale: 1/2"=1'-0"  
dr. by: HAMID  
chk. by:

drawing no.  
**W08-70**

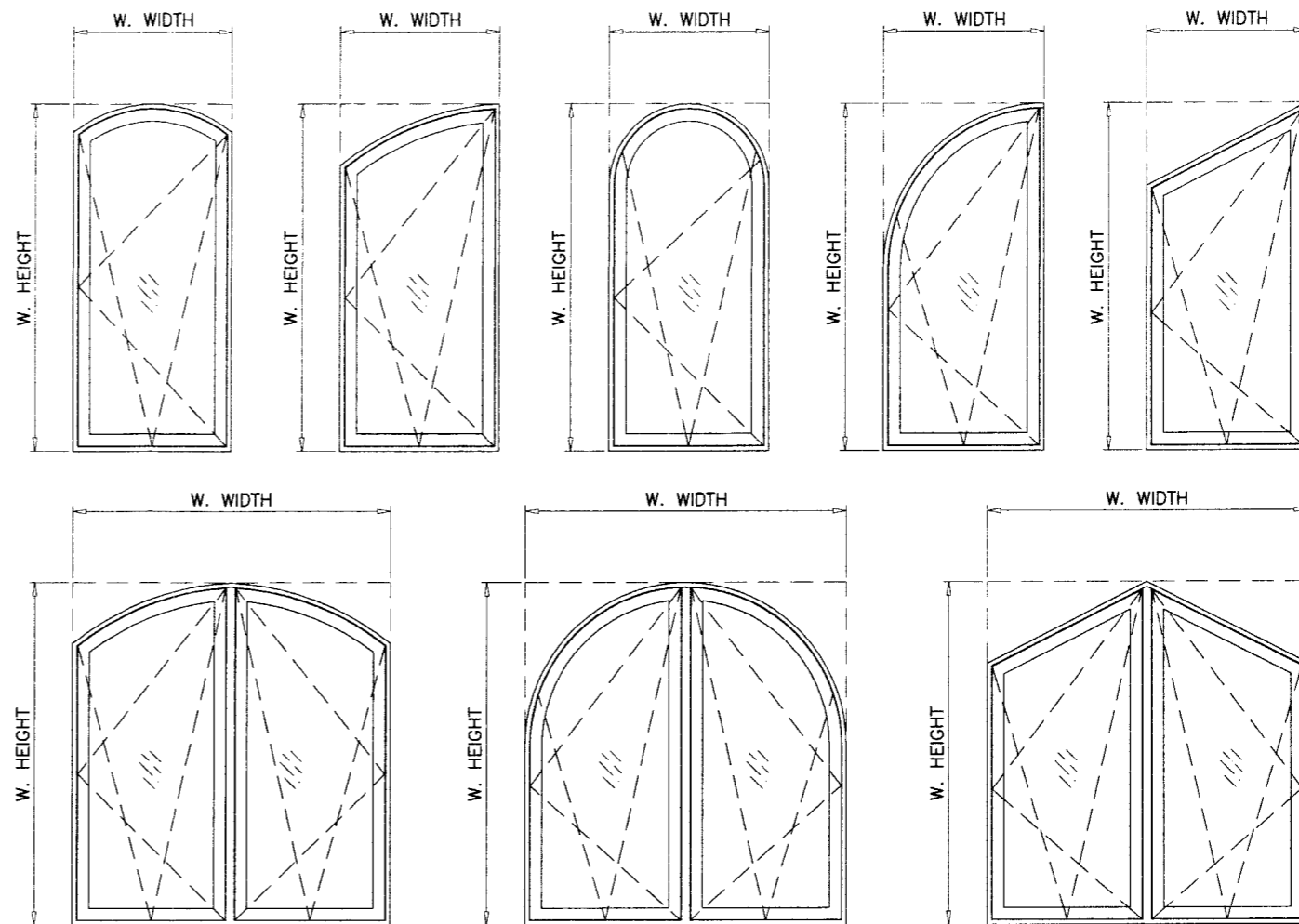
sheet 1 of 10

DESIGN LOAD CAPACITY - PSF (SINGLE UNITS)			
WINDOW DIMS.		INSUL. LAM. GLASS	
WIDTH	HEIGHT	EXT. (+)	INT. (-)
18"	48" (4)	65.0	85.0
24"		65.0	85.0
30"		65.0	85.0
36"		65.0	85.0
37"		65.0	85.0
18"	54" (5)	65.0	85.0
24"		65.0	85.0
30"		65.0	85.0
36"		65.0	85.0
37"		65.0	85.0
18"	60" (5)	65.0	85.0
24"		65.0	85.0
30"		65.0	85.0
36"		65.0	85.0
37"		65.0	85.0
18"	66" (6)	65.0	85.0
24"		65.0	85.0
30"		65.0	85.0
36"		65.0	85.0
37"		65.0	85.0
18"	72" (6)	65.0	85.0
24"		65.0	85.0
30"		65.0	85.0
36"		65.0	85.0
37"		65.0	85.0
18"	78" (7)	65.0	85.0
24"		65.0	85.0
30"		65.0	85.0
36"		65.0	85.0
37"		65.0	85.0
18"	84" (7)	65.0	85.0
24"		65.0	85.0
30"		65.0	85.0
36"		65.0	85.0
37"		65.0	85.0

( ) = NO. OF ANCHORS PER JAMB

DESIGN LOAD CAPACITY - PSF (DOUBLE UNITS)					
WINDOW DIMS.		IMPOST W/O EXTENSION		IMPOST W/ EXTENSION	
		2 ANCHORS @ EACH SIDE	3 ANCHORS @ EACH SIDE	EXT. (+)	INT. (-)
WIDTH	HEIGHT	EXT. (+)	INT. (-)	EXT. (+)	INT. (-)
36"	48" (4)	65.0	85.0	65.0	85.0
48"		65.0	85.0	65.0	85.0
60"		65.0	85.0	65.0	85.0
72"		65.0	85.0	65.0	85.0
74"		65.0	85.0	65.0	85.0
36"	54" (5)	65.0	85.0	65.0	85.0
48"		65.0	85.0	65.0	85.0
60"		65.0	85.0	65.0	85.0
72"		65.0	85.0	65.0	85.0
74"		65.0	85.0	65.0	85.0
36"	60" (5)	65.0	85.0	65.0	85.0
48"		65.0	85.0	65.0	85.0
60"		65.0	85.0	65.0	85.0
72"		65.0	85.0	65.0	85.0
74"		65.0	85.0	65.0	85.0
36"	66" (6)	65.0	85.0	65.0	85.0
48"		65.0	85.0	65.0	85.0
60"		65.0	85.0	65.0	85.0
72"		65.0	85.0	65.0	85.0
74"		65.0	85.0	65.0	85.0
36"	72" (6)	65.0	85.0	65.0	85.0
48"		65.0	85.0	65.0	85.0
60"		65.0	85.0	65.0	85.0
72"		65.0	85.0	65.0	85.0
74"		65.0	85.0	65.0	85.0
36"	78" (7)	65.0	85.0	65.0	85.0
48"		65.0	85.0	65.0	85.0
60"		65.0	85.0	65.0	85.0
72"		65.0	80.2	65.0	85.0
74"		65.0	78.7	65.0	85.0
36"	84" (7)	65.0	85.0	65.0	85.0
48"		65.0	85.0	65.0	85.0
60"		65.0	83.7	65.0	85.0
72"		65.0	72.9	65.0	85.0
74"		65.0	71.5	65.0	85.0

( ) = NO. OF ANCHORS PER JAMB



ALLOWABLE LOADS FOR ALTERNATE SHAPES AS SHOWN ABOVE OR SIMILAR CAN BE VERIFIED BY INSCRIBING WINDOW SHAPE WITHIN SQUARE OR RECTANGLE AS SHOWN IN DOTTED LINES AND OBTAINING ALLOWABLE LOADS FROM THOSE SHAPES.

**LOCKS:**

MACO TRICOAT 12 POINT LOCK SYSTEM WITH KEEPERS  
 SURFACE MOUNT ACTIVATING HANDLE AT LOCK STILES  
 SURFACE MOUNT METALLIC KEEPERS FACING LOCKS  
 EACH FASTENED WITH (3) #10 X 2-1/4" WOOD SCREWS  
 (2) KEEPERS AT HEAD  
 (2) KEEPERS AT SILL  
 (4) KEEPERS AT EACH JAMB

**HINGES:**

TILT AND TURN HINGE SYSTEM AT TOP AND BOTTOM OF VENT.

Engr: DR. HUMAYOUN FAROOQ  
 STRUCTURES  
 FLA. PE # 16557  
 C.A.N. 3538

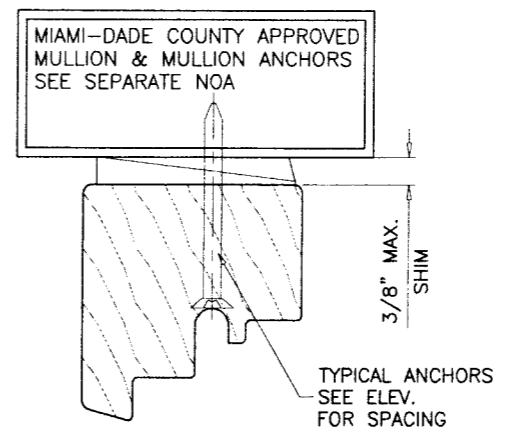
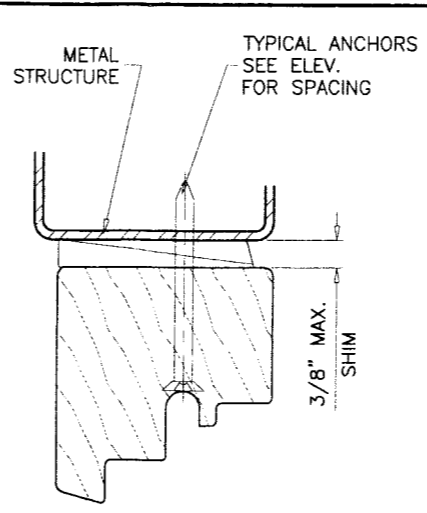
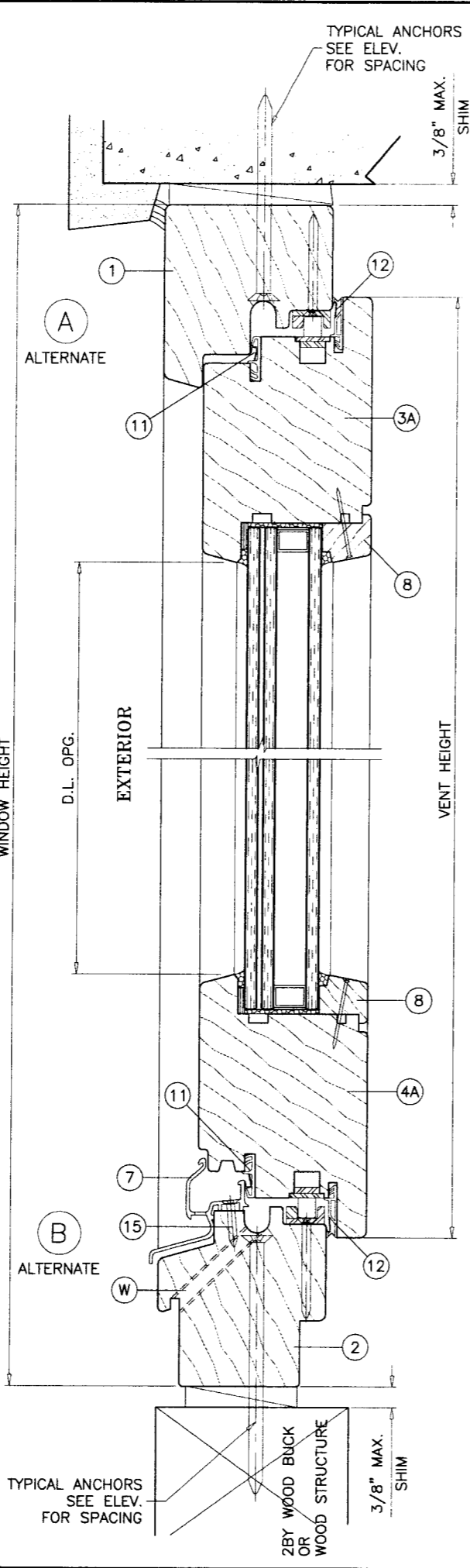
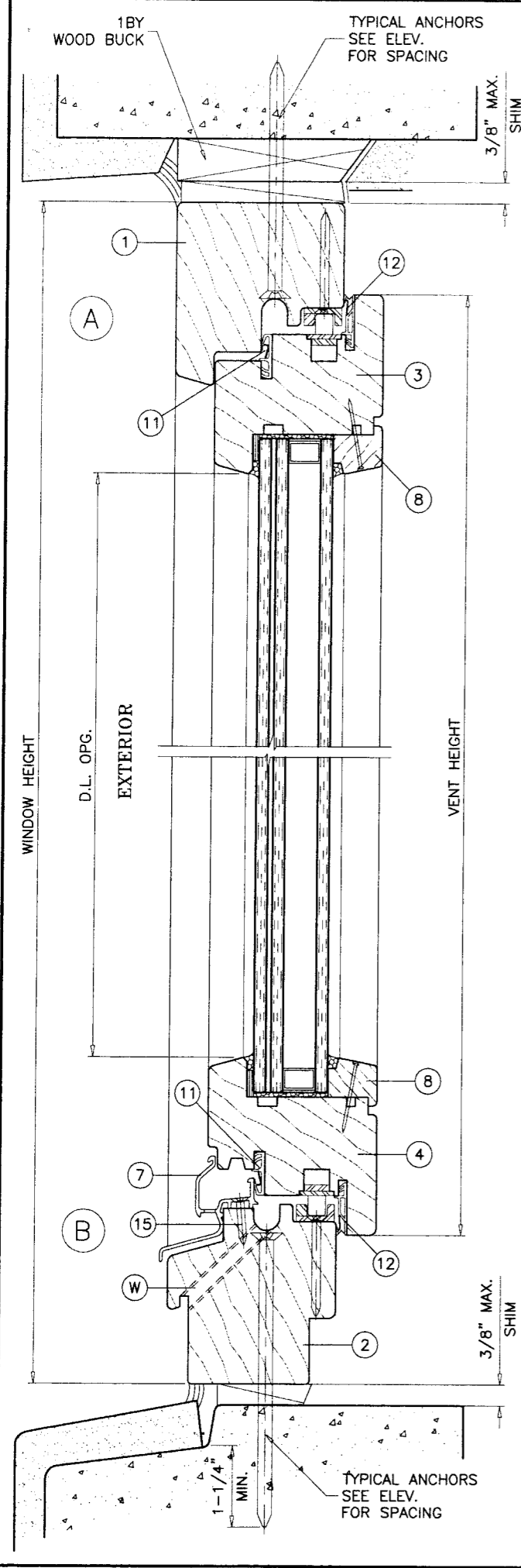
DEC 22 2008

Approved as complying with the  
 Florida Building Code  
 Date MAY 20, 2009  
 NOA# 08-7234.17  
 Miami Dade Product Control  
 Division  
 By Manuel Perez

**af c**  
**AL-FAROOQ CORPORATION**  
 ENGINEERS & PRODUCT DEVELOPMENT  
 1235 S.W. 87 AVE  
 MIAMI, FLORIDA 33174  
 TEL. (305) 264-8100 FAX (305) 262-6978  
 COMP-ANL\W08-70MNA

WOOD FRAME TILT & TURN WINDOW (L.M.I.)  
**MONTAG WINDOWS & DOORS**  
 215 HEMBREE PARK DRIVE, SUITE 100  
 ROSWELL, GA 30076  
 TEL. (866) 562-1728 FAX. (866) 563-1728

revisions:	no	date	by	description
date:	07-28-08	scale:	3/8" = 1"	dr. by:
				HAMID
			chk. by:	
drawing no.	W08-70			
sheet	2 of 10			



**TYPICAL ANCHORS:** SEE ELEV. FOR SPACING  
**1/4" DIA. ULTRACON BY 'ELCO'** (Fu=177 KSI, Fy=155 KSI)  
 INTO 2BY WOOD BUCKS OR WOOD STRUCTURES  
 1-1/2" MIN. PENETRATION INTO WOOD  
 THRU 1BY BUCKS INTO CONC. OR MASONRY  
 1-1/4" MIN. EMBED INTO CONC. OR MASONRY  
 DIRECTLY INTO CONC. OR MASONRY  
 1-1/4" MIN. EMBED INTO CONC. OR MASONRY

**#14 SMS OR SELF DRILLING SCREWS** (GRADE 2 CRS)  
 INTO MIAMI-DADE COUNTY APPROVED MULLIONS (MIN. THK. = .090")  
 INTO METAL STRUCTURES  
 STEEL : 12 GA. MIN. (Fy = 36 KSI MIN.)  
 ALUMINUM : 1/8" THK. MIN. (6063-T5 MIN.)  
 (STEEL IN CONTACT WITH ALUMINUM TO BE PLATED OR PAINTED)

**TYPICAL EDGE DISTANCE**  
 INTO CONCRETE AND MASONRY = 2-1/2" MIN.  
 INTO WOOD STRUCTURE = 1" MIN.  
 INTO METAL STRUCTURE = 3/4" MIN.

CONCRETE f'c = 3000 PSI MIN.  
 MASONRY f'm = 1500 PSI MIN.

**WEEPHOLES:**  
 W = 5/16" DIA. WEEP HOLES WITH 1/4" DIA. PLASTIC TUBE  
 3 PER VENT AT 4" FROM EACH END AND AT CENTER

**SEALANTS:**  
 WINDOW PERIMETER SEALED WITH SILICONE SEALANT.

WOOD BUCKS AND METAL STRUCTURE NOT BY MONTAG  
 MUST SUSTAIN LOADS IMPOSED BY GLAZING SYSTEM  
 AND TRANSFER THEM TO THE BUILDING STRUCTURE.

Engr. DR. HUMAYOUN FAROOQ  
 STRUCTURES  
 FLA. PE # 16557  
 C.A.N. 3538

DEC 22 2008

Approved as complying with the  
 Florida Building Code  
 Date MAY 20, 2009  
 NOA# 08-1324-12  
 Miami Dade Product Control  
 Division  
 By Hamid Peraz

**af c**  
**AL-FAROOQ CORPORATION**  
 ENGINEERS & PRODUCT DEVELOPMENT  
 1235 S.W. 87 AVE  
 MIAMI, FLORIDA 33174  
 TEL. (305) 264-8100 FAX. (305) 262-6978  
 COMP-ANL\W08-70MNA

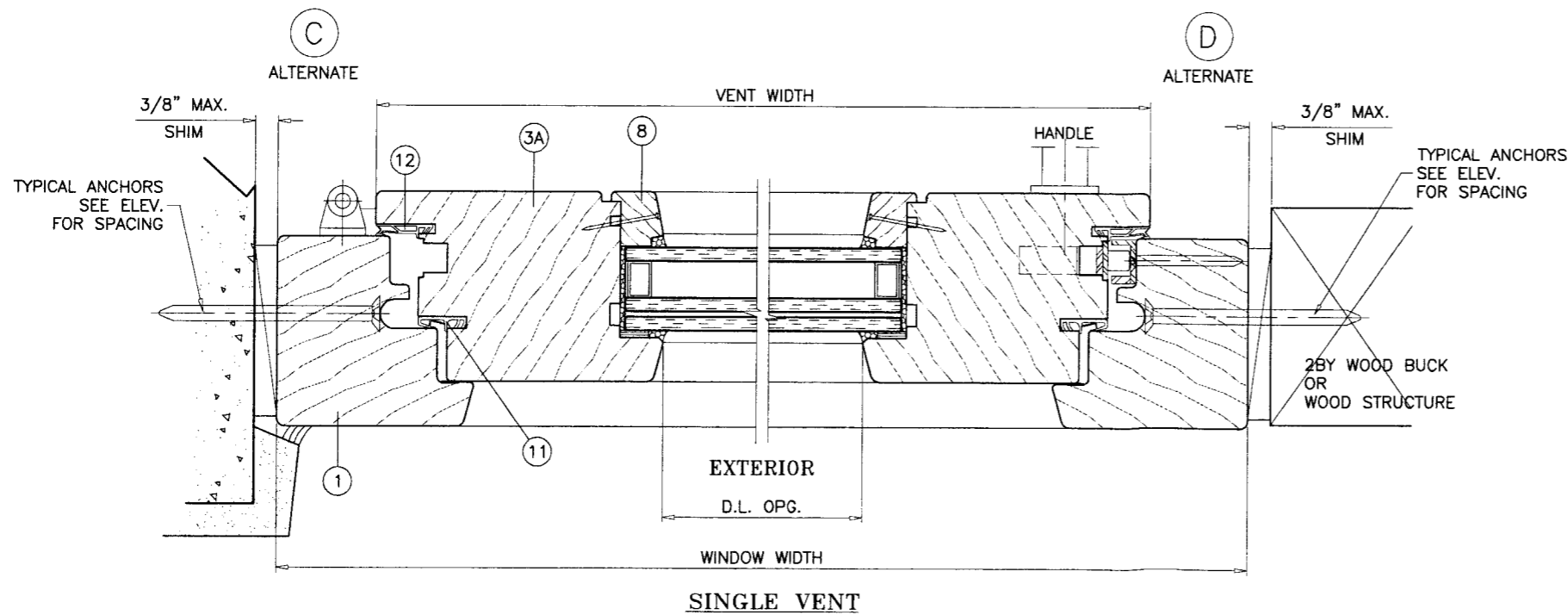
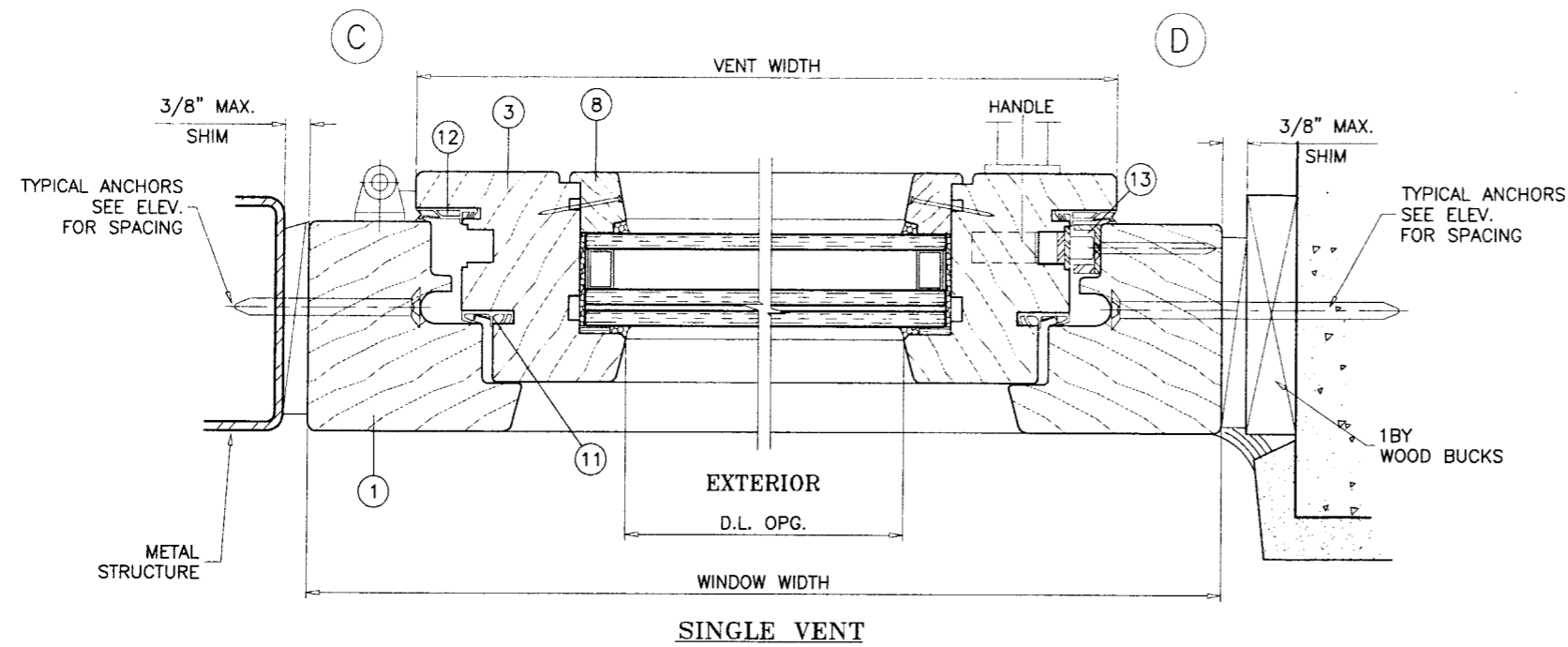
WOOD FRAME TILT & TURN WINDOW (L.M.I.)  
**MONTAG WINDOWS & DOORS**  
 215 HEMBREE PARK DRIVE, SUITE 100  
 ROSWELL, GA 30076  
 TEL. (866) 562-1728 FAX. (866) 563-1728

revisions:

no	date	by description

date: 07-28-08  
 scale: 3/8" = 1"  
 dr. by: HAMID  
 chk. by:

drawing no.  
**W08-70**  
 sheet 3 of 10



Engr: DR. HUMAYOUN FAROOQ  
 STRUCTURES  
 FLA. PE # 16557  
 C.A.N. 3538

*[Signature]*  
 DEC 22 2008

Approved as complying with the  
 Florida Building Code  
 Date MAY 20, 2009  
 NOA# 08-1224.17  
 Miami Dade Product Control  
 Division  
 By *[Signature]*

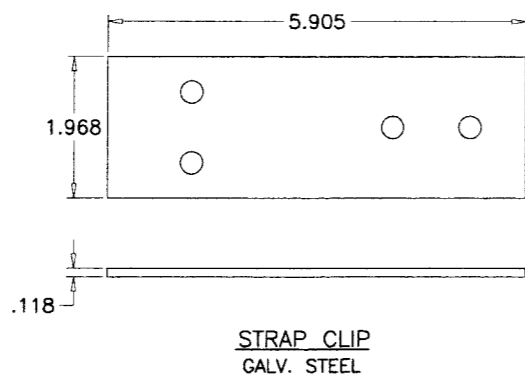
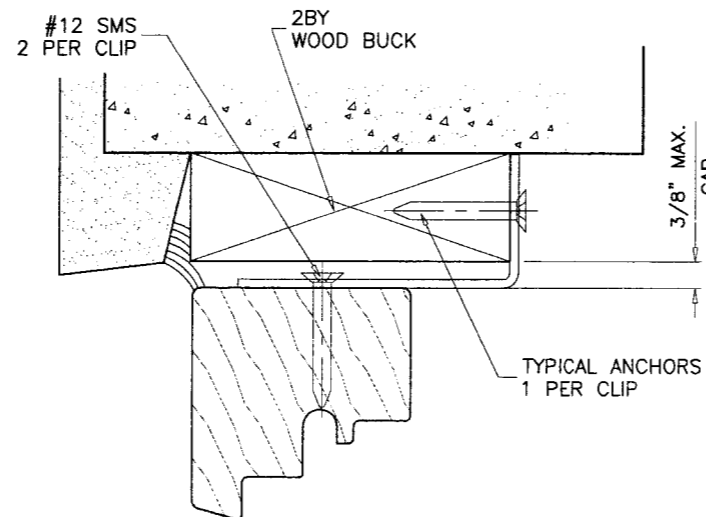
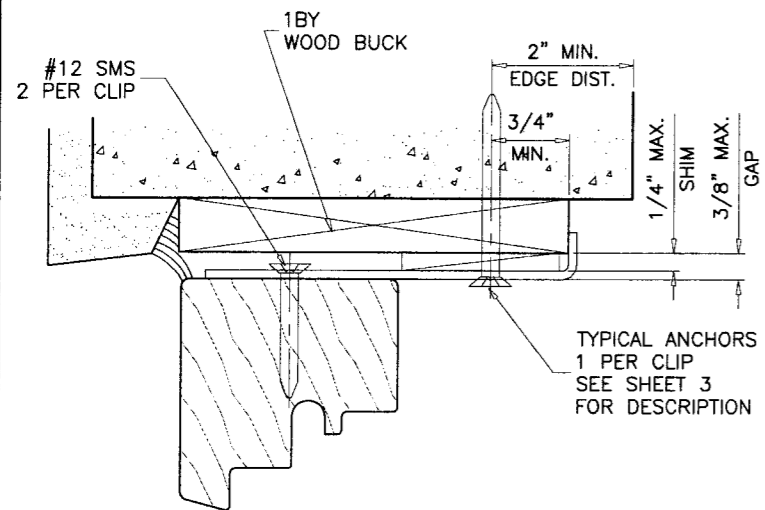
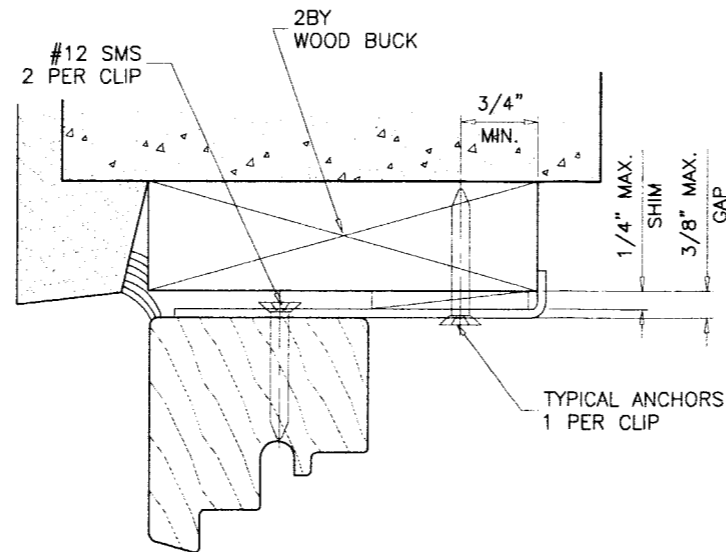
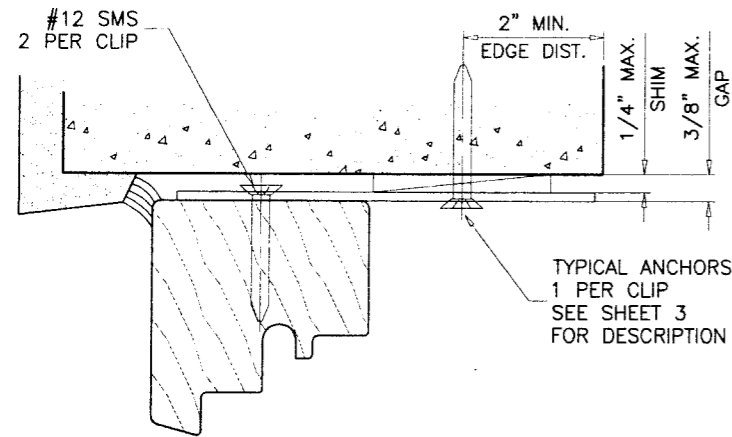
**afC**  
**AL-FAROOQ CORPORATION**  
 ENGINEERS & PRODUCT DEVELOPMENT  
 1235 S.W. 87 AVE  
 MIAMI, FLORIDA 33174  
 TEL. (305) 264-8100 FAX. (305) 262-6978  
 COMP-ANL \ W08-70MNA

WOOD FRAME TILT & TURN WINDOW (L.M.I.)  
**MONTAG WINDOWS & DOORS**  
 215 HEMBREE PARK DRIVE, SUITE 100  
 ROSWELL, GA 30076  
 TEL. (866) 562-1728 FAX. (866) 563-1728

revisions:	
no	date by description

date: 07-28-08  
 scale: 3/8" = 1"  
 dr. by: HAMID  
 chk. by:   
 drawing no.  
**W08-70**  
 sheet 4 of 10





TYPICAL ANCHORS: SEE ELEV. FOR SPACING

ANCHORS THRU STRAP CLIPS INTO WOOD

#12 SMS

INTO 2BY WOOD BUCKS OR WOOD STRUCTURE  
1-1/2" MIN. PENETRATION INTO WOOD

ANCHOR EDGE DISTANCES

INTO WOOD STRUCTURE = 1/2" MIN.

Engr: DR. HUMAYOUN FAROOQ  
STRUCTURES  
FLA. PE # 16557  
C.A.N. 3538

DEC 22 2008

Approved as complying with the  
Florida Building Code  
Date MAY 20, 2009  
NOA# 08-1224-17  
Miami Dade Product Control  
Division  
By Manuel Perez

**afc**  
**AL-FAROOQ CORPORATION**  
ENGINEERS & PRODUCT DEVELOPMENT  
1235 S.W. 87 AVE  
MIAMI, FLORIDA 33174  
TEL. (305) 264-8100 FAX. (305) 262-6978  
COMP-ANL\W08-70MINA

WOOD FRAME TILT & TURN WINDOW (L.M.I.)  
**MONTAG WINDOWS & DOORS**  
215 HEMBREE PARK DRIVE, SUITE 100  
ROSWELL, GA 30076  
TEL. (866) 562-1728 FAX. (866) 563-1728

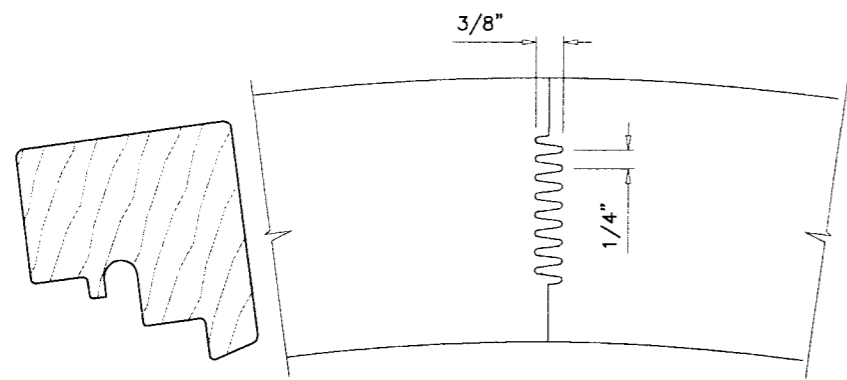
revisions:

no	date	by	description

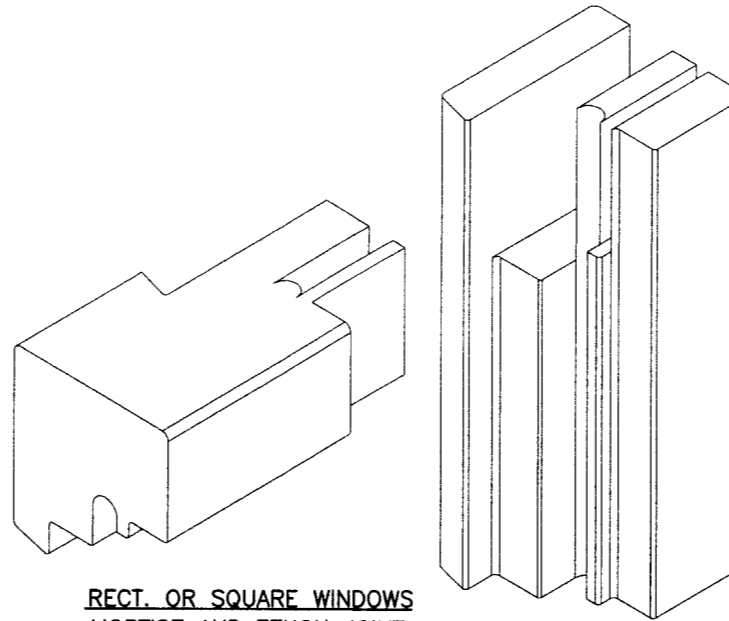
date: 07-28-08  
scale: 3/8" = 1"  
dr. by: HAMID  
chk. by:

drawing no.  
**W08-70**  
sheet 6 of 10



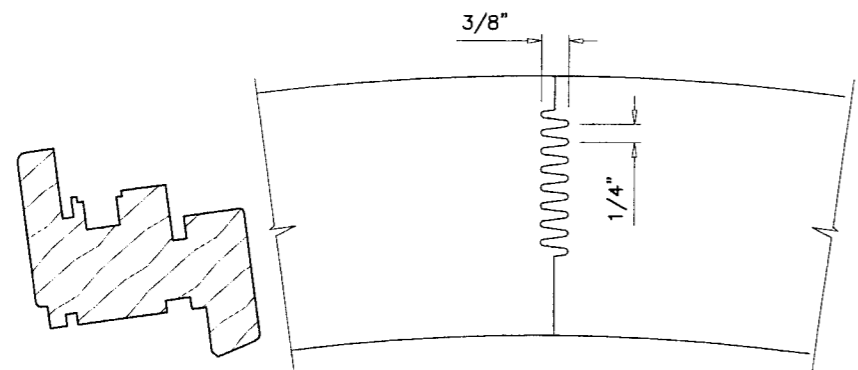


CIRCULAR WINDOWS  
FINGER JOINT

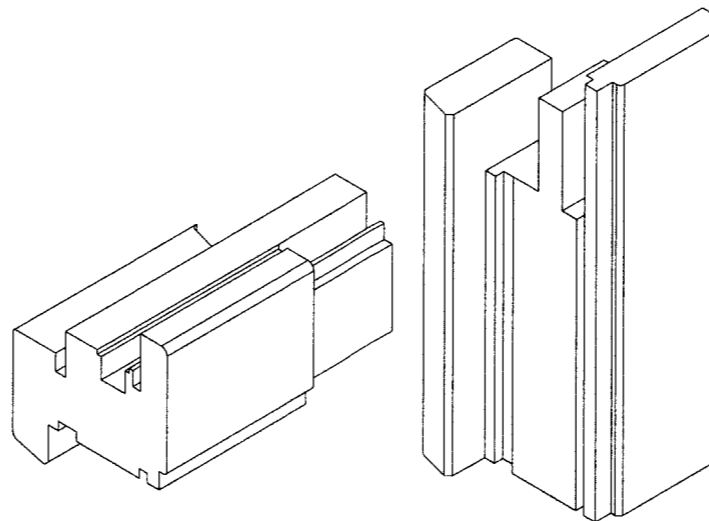


RECT. OR SQUARE WINDOWS  
MORTISE AND TENON JOINT

FRAME CORNERS



CIRCULAR WINDOWS  
FINGER JOINT



RECT. OR SQUARE WINDOWS  
MORTISE AND TENON JOINT

VENT CORNERS

FRAME CORNERS SEALED/GLUED WITH  
WATER PROOF ADHESIVE

Engr: DR. HUMAYOON FAROOQ  
STRUCTURES  
FLA. PE # 16557  
C.A.N. 3538

*[Signature]*

DEC 22 2008

Approved as complying with the  
Florida Building Code  
Date MAY 20, 2009  
NOA# 08-1224-17  
Miami Dade Product Control  
Division  
By *[Signature]*

date: 07-28-08  
scale: 3/8" = 1"  
dr. by: HAMID  
chk. by:

drawing no.  
**W08-70**

sheet 8 of 10

WOOD FRAME TILT & TURN WINDOW (L.M.I.)

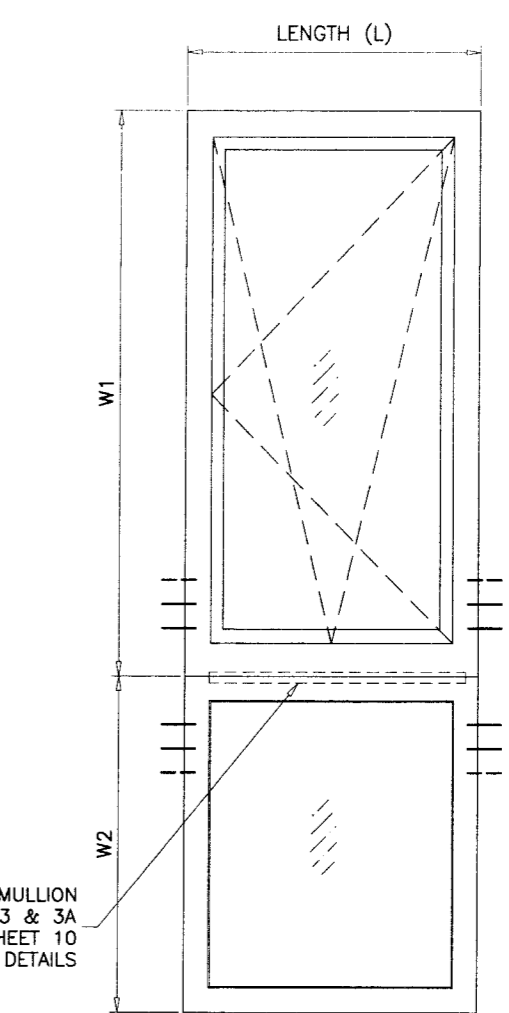
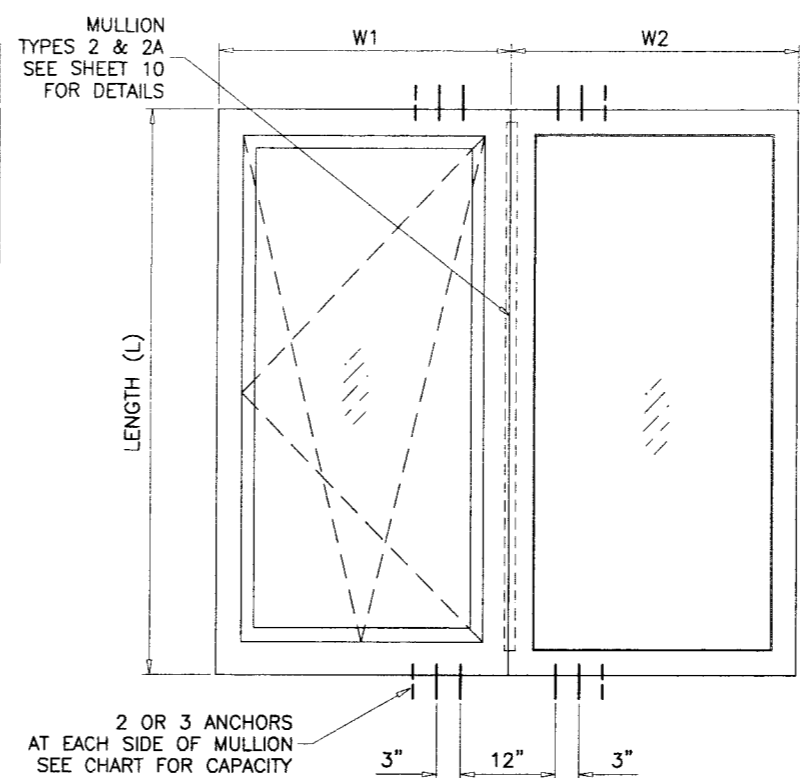
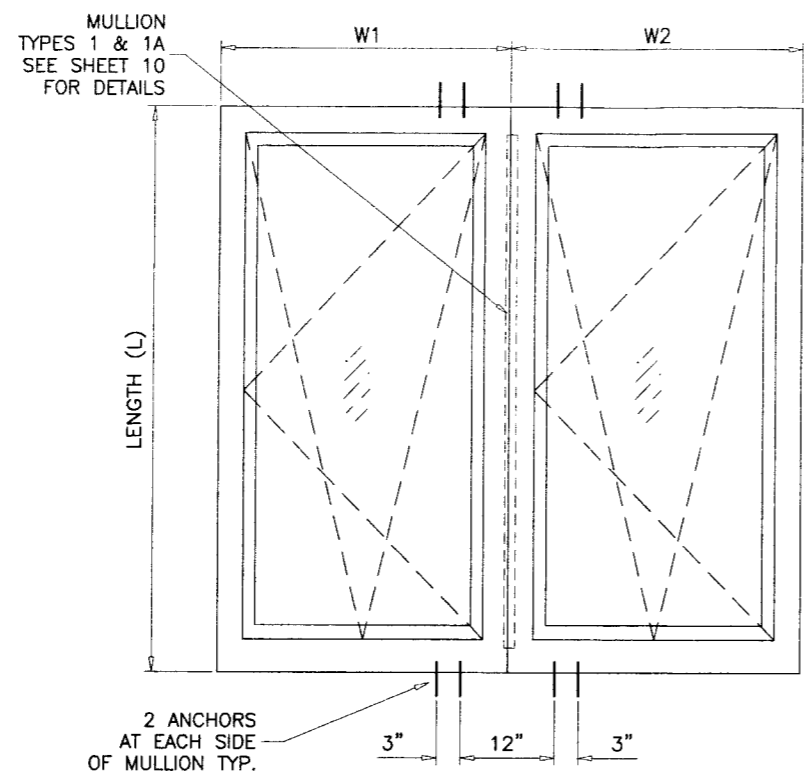
**MONTAG WINDOWS & DOORS**  
215 HEMBREE PARK DRIVE, SUITE 100  
ROSWELL, GA 30076  
TEL. (866) 562-1728 FAX. (866) 563-1728

**AL-FAROOQ CORPORATION**  
ENGINEERS & PRODUCT DEVELOPMENT  
1235 S.W. 87 AVE  
MIAMI, FLORIDA 33174  
TEL. (305) 264-8100 FAX. (305) 262-6978

**afc**

COMP-ANL\W08-70MNA

MULLION LOAD CAPACITY - PSF			
WINDOW DIMS.		MULLION TYPES	
		2 ANCHORS AT EACH SIDE OF MULL	3 ANCHORS AT EACH SIDE OF MULL
WIDTH (W)	LENGTH (L)	EXT. (+) INT. (-)	EXT. (+) INT. (-)
24"	54"	85.0	85.0
30"		85.0	85.0
36"		85.0	85.0
42"		85.0	85.0
48"		85.0	85.0
54"	85.0	85.0	
24"	60"	85.0	85.0
30"		85.0	85.0
36"		85.0	85.0
42"		85.0	85.0
48"		85.0	85.0
24"	66"	85.0	85.0
30"		85.0	85.0
36"		85.0	85.0
42"		85.0	85.0
48"		85.0	85.0
24"	72"	85.0	85.0
30"		85.0	85.0
36"		85.0	85.0
42"		80.9	85.0
48"		85.0	85.0
24"	78"	85.0	85.0
30"		85.0	85.0
36"		80.2	85.0
24"	84"	85.0	85.0
30"		83.7	85.0
36"		72.9	85.0



**TYPICAL ELEVATIONS**  
SIDE BY SIDE WINDOWS  
SIDE BY SIDE APPLIES TO TWO OR MORE WINDOWS

$$\text{WIDTH (W)} = \frac{W1 + W2}{2}$$

- NOTES:**
1. USE CHART ON THIS SHEET FOR SIDE BY SIDE CONNECTION CAPACITY OF WINDOW MULLION.
  2. FOR TILT & TURN WINDOW CAPACITY SEE SHEET 2 OF 10.
  3. FOR FIXED WINDOW CAPACITY SEE SEPARATE NOA.
  4. LOWER VALUES FROM STEPS 1, 2 OR 3 WILL APPLY TO ENTIRE SYSTEM.

Engr: DR. HUMAYOON FAROOQ  
STRUCTURES  
FLA. PE # 16557  
C.A.N. 353E

*[Signature]*

DEC 22 2008

Approved as complying with the  
Florida Building Code  
Date MAY 20, 2009  
NOA# 08-1224-12  
Miami Dade Product Control  
Division  
By *[Signature]*

**af c**

**AL-FAROOQ CORPORATION**  
ENGINEERS & PRODUCT DEVELOPMENT  
1235 S.W. 87 AVE  
MIAMI, FLORIDA 33174  
TEL. (305) 264-8100 FAX. (305) 262-6978  
COMP-ANL W08-70MNA

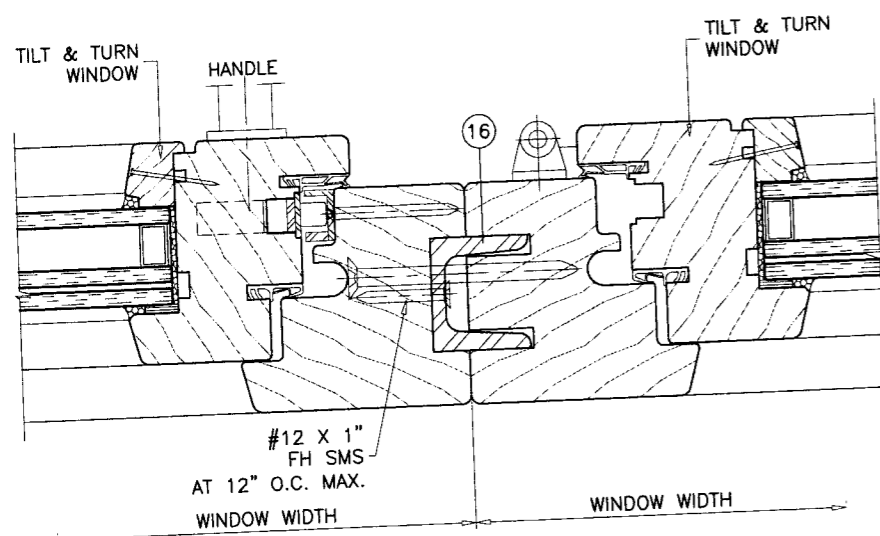
WOOD FRAME TILT & TURN WINDOW (L.M.I.)  
**MONTAG WINDOWS & DOORS**  
215 HEMBREE PARK DRIVE, SUITE 100  
ROSWELL, GA 30076  
TEL. (866) 562-1728 FAX. (866) 563-1728

revisions:	no	date	by	description

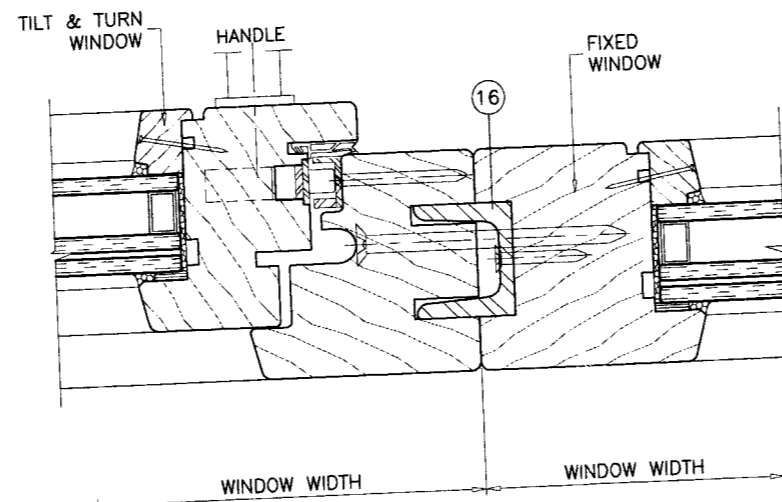
date: 01-28-08  
scale: 3/8" = 1"  
dr. by: HAMID  
chk. by:

drawing no.  
**W08-70**

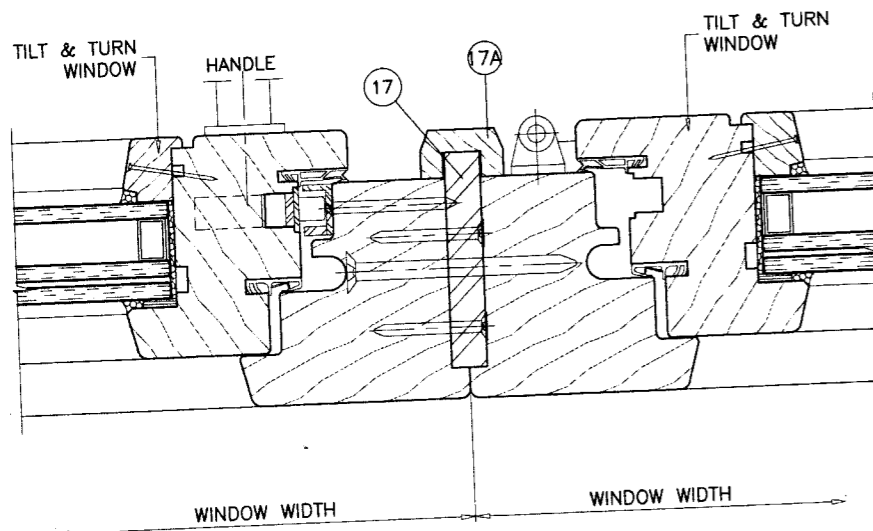
sheet 9 of 10



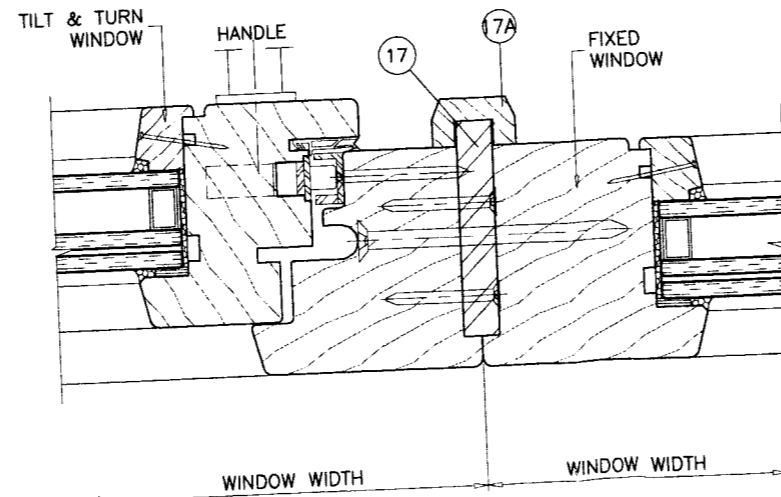
MULLION TYPE 1



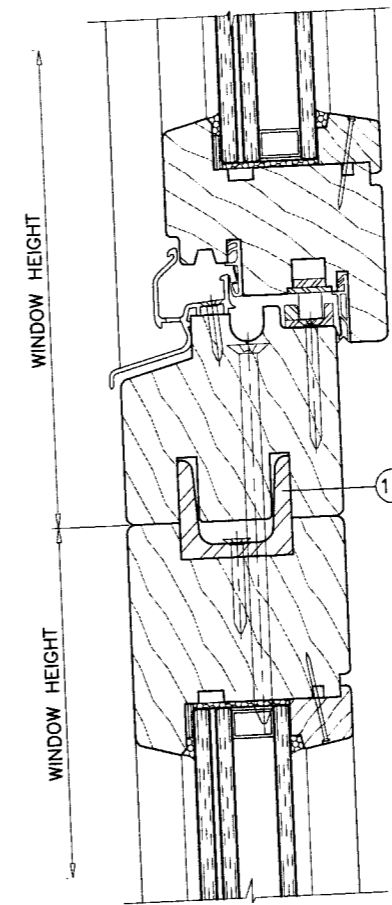
MULLION TYPE 2



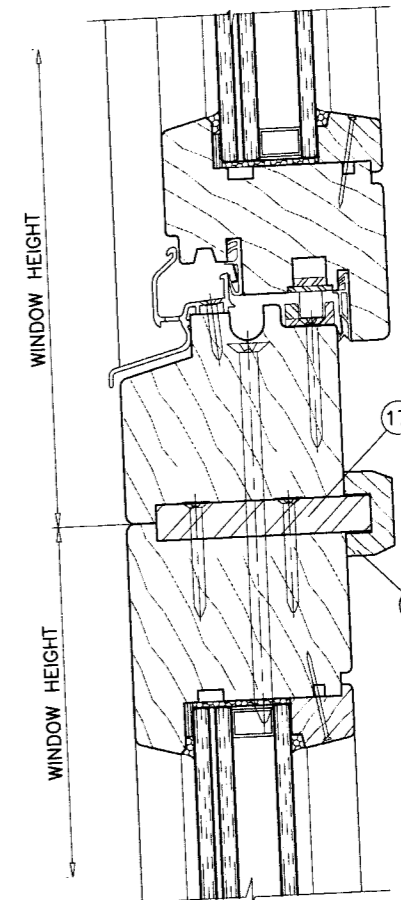
MULLION TYPE 1A



MULLION TYPE 2A



MULLION TYPE 3



MULLION TYPE 3A

Engr. DR. HUMAYGUN FAROOQ  
STRUCTURES  
FLA. PE # 16557  
C.A.N. 3538

DEC 22 2008

Approved as complying with the  
Florida Building Code  
Date May 20, 2009  
NOA# 08-1224-17  
Miami Dade Product Control  
Division  
By Mauro Ruiz

revisions:

no	date	by description

date: 028-08  
scale: 3/8" = 1"  
dr. by: HAMID  
chk. by:

drawing no.  
**W08-70**  
sheet 10 of 10

**AL-FAROOQ CORPORATION**  
ENGINEERS & PRODUCT DEVELOPMENT  
1235 S.W. 87 AVE  
MIAMI, FLORIDA 33174  
TEL. (305) 264-8100 FAX. (305) 262-6978  
COMP-ANL\W08-70MM

WOOD FRAME TILT & TURN WINDOW (L.M.I.)  
**MONTAG WINDOWS & DOORS**  
215 HEMBREE PARK DRIVE, SUITE 100  
ROSWELL, GA 30076  
TEL. (866) 562-1728 FAX. (866) 563-1728